

Fuse Holder

ATN-IN-01 Fuse Holder

Main material: Plastic

Contacts: Alloy

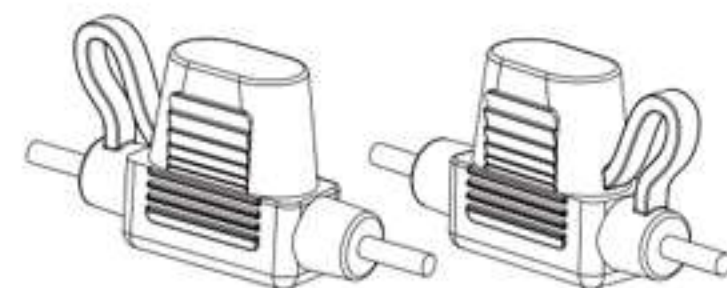
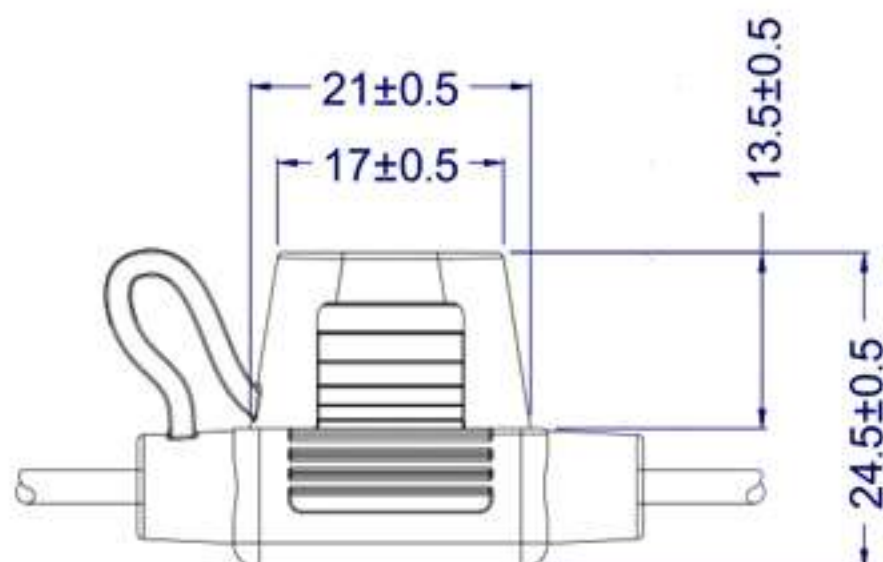
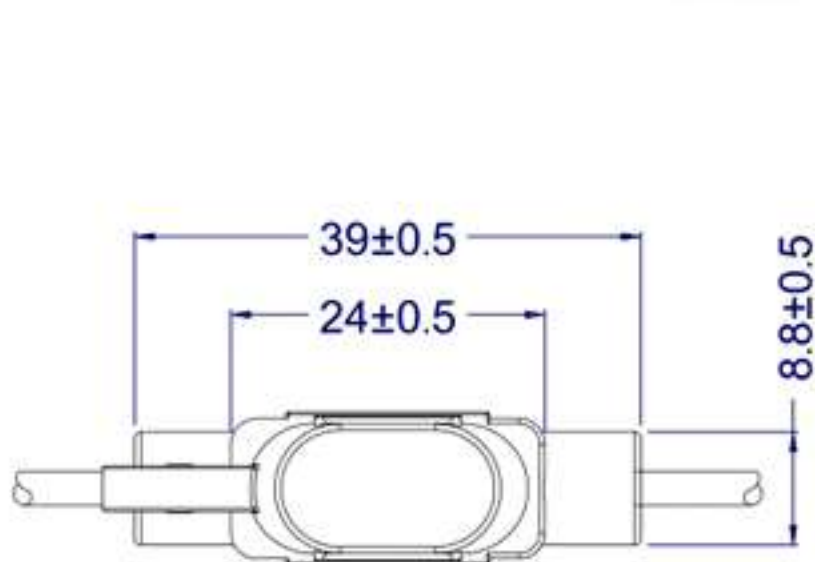
Rated Voltage: 32V

Rated Current: 30A

Applicable: ATN mini blade fuse

Temperature: -30°C to +125°C

Compliance: ROHS



Unit: mm